

J.M. PEREIRA & SONS, INC.

EQUIPMENT RENTAL SERVICES

SAFETY FIRST, EXCELLENCE AND INTEGRITY ALWAYS

TEL: 800-837-8945 or 215-702-9871

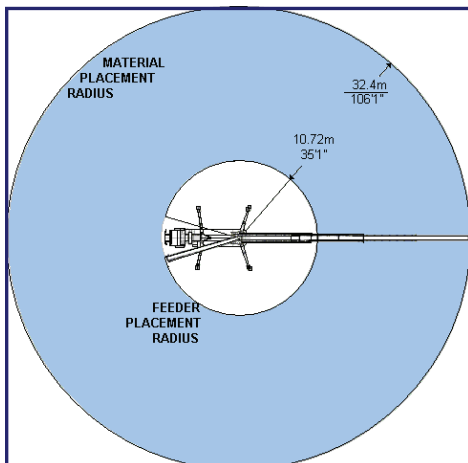
The Right Tool For The Job...



110 FT PUTZMEISTER TELESCOPIC CONVEYOR BELT

The TeleBelt can place concrete, stone, sand or dirt precisely where you need it. One common application is using it to pour an otherwise inaccessible footing and stone the foundation in the same day, saving time and labor.

It has a placement range of 270° and up to 106 ft. and because the telebelt does not open vertically overhead obstructions are not an issue.



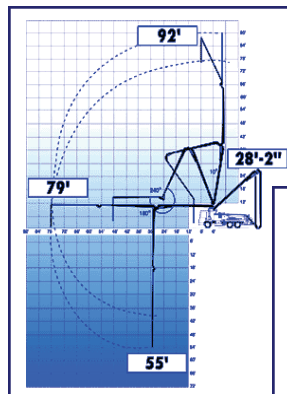
RANGE OF 110FT TELEBELT



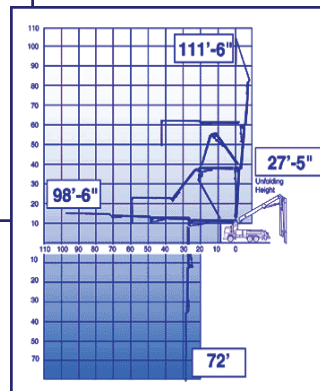
28 METER AND 34 METER SCHWING BOOM PUMPS

With the ability to rotate and extend both horizontally and vertically our articulated boom pumps can place concrete just about anywhere.

Because this pump unfolds vertically it is essential that there be no overhead wires or other obstructions.



RANGE OF 28M
BOOM PUMP
RANGE OF 34M
BOOM PUMP



TRUCK-MOUNTED SCHWING LINE PUMPS

Similar to the tag-a-long trailer pumps, our truck mounted version can place concrete up to a mile away.

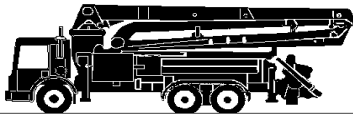
Our truck carries up to 300 feet of pipe that can be configured to carry concrete over, under, around or through an opening in any obstruction or structure in your way. (Additional lengths of pipe and shotcrete attachments are also available for use with this pump.)

Our capable and courteous team of drivers include concrete pump operators certified by the AMERICAN CONCRETE PUMPING ASSOCIATION (ACPA).

In the event that you are unsure what type of pump might be best for a particular job we can send a representative to evaluate the site free of charge.

J.M.PEREIRA & SONS, INC.

CONCRETE PUMPING SERVICE



Pricing Effective April 15, 2010

OFFICE (215) 702-9871
FAX (215) 702-9874
TOLL FREE 1-800-837-8945

LINE PUMP INCLUDES 100 FOOT OF PIPE
28 METER (90 FOOT BOOM + 15 FOOT HOSE)
34 METER (112 FOOT BOOM + 15 FOOT HOSE)
110 FOOT TELEBELT (34 METER)

JOB MINIMUM CHARGE	TRUCK RENTAL W/ OPERATOR (PER HR)	CONCRETE PLACEMENT		AGGREGATE PLACEMENT (TONS)	
		FIRST FIFTY (50)	EACH ADDT'L		
130 FT TELE-BELT	\$1,150	\$210	\$5 /CY	\$3 /CY	\$2 /TN
110 FT TELE-BELT	\$1,050	\$190	\$5 /CY	\$3 /CY	\$2 /TN
42M BOOM	\$1,050	\$190	\$5 /CY	\$3 /CY	N/A
34M BOOM	\$950	\$150	\$5 /CY	\$3 /CY	N/A
28M BOOM	\$850	\$125	\$5 /CY	\$3 /CY	N/A
LINE PUMP	\$750	\$110	\$5 /CY	\$3 /CY	N/A

An additional charge of \$30 per hour Late Day Charge will be added for all jobs started after 4:30 pm.
An additional charge of \$30 per hour Saturday Charge will be added for all Saturday jobs.
All pumps supplied to jobsites outside the state of New Jersey are subject to State and Local sales tax.
Additional pipe (after the first 100 ft which are included with the rental) for the line pump at a rate of \$1/Ft.
There is a 25% Surcharge for Penn D.O.T or New Jersey D.O.T concrete spec.
There is a \$300.00 Cancellation Charge for all jobs cancelled once pump is en route to job.
If an oiler is needed, you will be charged an additional \$40/Hr.
If a hopper is required for Telebelt there will be an additional charge of \$400 to transport the hopper to and from the site and for the oiler to assist the operator with it's installation.

TERMS AND CONDITIONS

- C.O.D. unless other arrangements are made when scheduling pump.
- Customer must provide proper access to set up pump. If pump gets stuck due to poor access conditions, Customer will be responsible for payment of any towing services required to extricate pump.
- Customer must provide place to dispose of concrete in pump once job is done (Approx. 1/2 to 1 cu.yd.)
- Customer pays from the time the pump leaves Langhorne, Pa. till pump returns to Langhorne, Pa.

Please Note:

The Line pump is equipped with 2-1/2" and 4" line. When using 2-1/2" Line you must use a pump mix with 3/8" stone.

Schedule pump 30 minutes prior to concrete. If laying down pipe, schedule pump 1 hour prior to concrete and you must have a laborer to help set up, dismantle and wash pipeline. Otherwise, you must request an oiler along with the pump operator.

For better job scheduling, all concrete pumps are equipped with mobile phones and radios.

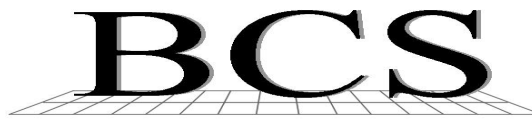
When scheduling an afternoon pour, DO NOT release concrete until we call you. Concrete pump may be delayed on morning pour due to circumstances beyond our control. Once any morning job is complete we will contact you to advise you of when to expect the pump and release your concrete. Please call our office an estimated time of arrival for an afternoon pour.

Our company approaches each and every job with a professional attitude and with equipment that is well maintained to provide you with good service. However, due to the critical nature of concrete pumping, J. M. PEREIRA & SONS, INC. will not be held responsible for loss of time, labor and/or material due to mechanical failure.

PLEASE NOTE: ALL PRICING LISTED IS SUBJECT TO CHANGE WITHOUT NOTICE.

2330 BIG OAK ROAD · LANGHORNE, PA 19047

VISIT OUR WEBSITE AT www.jmpereira.com



2330 Big Oak Road
Langhorne, PA 19047
PH (215) 702-9872
FX (215) 702-9874

BUCKS CONCRETE SERVICES, INC
CONCRETE PUMPING SERVICE

Pricing Effective April 15, 2010
(All Pricing Listed is Subject to Change Without Notice)

	JOB MINIMUM CHARGE	TRUCK RENTAL W/ OPERATOR (PER HOUR)	CONCRETE PLACEMENT		AGGREGATE PLACEMENT	
			FIRST 50 CU. YD.	ADDT'L CU. YD.	TONS	
130 FT TELE-BELT	\$1,300	OR	\$225	\$5 /CY	\$3 /CY	\$2 /TN
110 FT TELE-BELT	\$1,200		\$210	\$5 /CY	\$3 /CY	\$2 /TN
42M BOOM w/15 FT HOSE	\$1,200		\$210	\$5 /CY	\$3 /CY	
34M BOOM w/15 FT HOSE	\$1,100		\$165	\$5 /CY	\$3 /CY	
28M BOOM w/15 FT HOSE	\$900		\$145	\$5 /CY	\$3 /CY	
LINE PUMP w/100 FT of PIPE	\$800		\$125	\$5 /CY	\$3 /CY	

For all jobs started after 4:30pm an additional charge of \$30 per hour will be added (Late Day Charge).
 For all Saturday jobs an additional charge of \$30 per hour will be added (Saturday Charge).
 State & Local Sales Tax will apply to all pumps supplied to jobsites outside the state of New Jersey.
 There will be a charge of \$1/LF for any additional pipe (after the first 100 ft) used with the line pump.
 Penn D.O.T or New Jersey D.O.T concrete spec. will have a 25% Surcharge.
 Any job cancelled once pump is en route to job will be charged a \$300.00 Cancellation Fee.
 For any jobs requiring an oiler, there will be an additional charge of \$45/Hr.
 There will be a charge of \$400 to transport the hopper to and from the jobsite and for the oiler to assist the operator with it's installation if a hopper is required.

Conditions & Terms

- ➡ Unless other arrangements are made in advance, all jobs are C.O.D.
- ➡ Proper access to set up pump must be provided by the Customer. If pump gets stuck due to poor access conditions, any towing required to extricate pump will be at the customers expense.
- ➡ Customer must provide place to dispose of concrete in pump once job is done (Approx. 1/2 to 1 cu.yd.)
- ➡ Rental times are calculated from the time the pump leaves Langhorne, Pa. till pump returns to Langhorne, Pa.

Notes

- ➡ For better job scheduling, all concrete pumps are equipped with mobile phones and radios.
- ➡ Schedule pump 30 minutes prior to concrete. If laying down pipe, schedule pump 1 hour prior to concrete and you must have a laborer to help set up, dismantle and wash pipeline. Otherwise, you must request an oiler along with the pump operator.
- ➡ When scheduling an afternoon pour, DO NOT release concrete until we call you. Concrete pump may be delayed on morning pour due to circumstances beyond our control. Once the morning job is complete our office will call you to tell you when to release your concrete.
- ➡ The Line pump is equipped with 2-1/2" and 4" line. When using 2-1/2" Line you must use a pump mix with 3/8" stone.
- ➡ Our company approaches each and every job with a professional attitude and with equipment that is well maintained to provide you with good service. However, due to the critical nature of concrete pumping, BUCKS CONCRETE SERVICES, INC. will not be held responsible for loss of time, labor and/or material due to mechanical failure.