

J.M. PEREIRA & SONS, INC.

EQUIPMENT RENTAL SERVICES

SAFETY FIRST, EXCELLENCE AND INTEGRITY ALWAYS

TEL: 800-837-8945 or 215-702-9871

The Right Tool For The Job...

20 TON STONE SPREADER

With our stone slinger material can be picked-up (on your account or ours), delivered to the job site and placed directly where your want it. Up to 22 tons on material can be placed in as little as 10 minutes with no material lost to the stockpile.

Material (stone, mulch, screened soil) can be placed as far as 60 feet from the rear of the truck across a radius of 180°. The conveyor can be directed through a rough opening to place material virtually anywhere, inside or out.



22 TON TRI-AXLE DUMP TRUCK

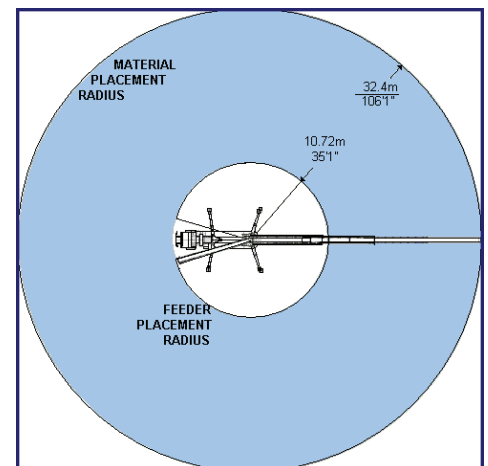
Our 22 Ton Tri-Axle Dump Trucks can be used to haul a wide range of materials that can be picked up on your account or our own, or be loaded by you on the job site.

110 FT PUTZMEISTER

TELESCOPIC CONVEYOR BELT

The TeleBelt can place concrete, stone, sand or dirt precisely where you need it. One common application is using it to pour an otherwise inaccessible footing and stone the foundation in the same day, saving time and labor.

It has a placement range of 270° and up to 106 ft. and because the telebelt does not open vertically overhead obstructions are not an issue.



RANGE OF 110FT TELEBELT



2330 BIG OAK ROAD
 LANGHORNE, PA 19047
 PHONE (215) 702-9871
 (800) 837-8945
 FAX (215) 702-9874

J.M. PEREIRA & SONS, INC.

20 TON TRI-AXLE STONE SLINGER RENTAL PRICE SHEET

PRICING EFFECTIVE 5-15-11

	REGION 1	REGION 2	REGION 3
A - Stone Slinger Rental (per hour) portal to portal Pricing does not include supply or delivery of stone	\$150.00	\$150.00	\$150.00
B - Base Charge - Cover travel time from shop to quarry	\$100.00	\$150.00	\$150.00
C - Stone for Slinger (per ton) Pricing does not include delivery (see item D)	\$11.00	\$12.50	\$16.50
D - Stone Delivery Charge (per ton)			DELIVERY SUBJECT TO NJ SALES TAX
DRIVING DISTANCE BETWEEN QUARRY & JOB Zone A within 5 Miles from quarry	\$10.00	\$11.00	\$11.00
Zone B between 5 and 10 Miles from quarry	\$11.50	\$12.50	\$12.50
Zone C between 10 and 15 Miles from quarry	\$13.00	\$14.00	\$14.00
Zone D between 15 and 20 Miles from quarry	\$14.50	\$15.50	\$15.50
Zone E between 20 and 25 Miles from quarry	\$16.00	\$17.00	\$17.00
Zone F between 25 and 30 Miles from quarry	\$17.50	\$18.50	\$18.50
Zone G between 30 and 35 Miles from quarry	\$19.00	\$20.00	\$20.00
Zone H between 35 and 40 Miles from quarry	\$20.50	\$21.50	\$21.50
Zone I between 40 and 45 Miles from quarry	\$22.00	\$23.00	\$23.00
Zone J between 45 and 50 Miles from quarry	\$23.50	\$24.50	\$24.50

REGION 1 BUCKS, MONTGOMERY, LEHIGH, NORTHAMPTON AND PHILADELPHIA COUNTIES SERVICED BY PENNS PARK AREA QUARRIES

REGION 2 CHESTER, DELAWARE, LANCASTER AND BERKS COUNTIES, AS WELL AS NORTHERN DELAWARE SERVICED BY DOWNINGTOWN AREA QUARRIES

REGION 3 CENTRAL AND SOUTHERN NEW JERSEY SERVICED BY BERLIN AREA QUARRIES

PRICE CALCULATION GUIDE

SLINGER RENTAL TO SPREAD STONE TO BE SUPPLIED AND LOADED ON SITE BY CUSTOMER	PRICE = A x HOURS
SLINGER RENTAL TO SUPPLY, DELIVER AND SPREAD STONE PICKED UP ON JMPS ACCOUNT	PRICE = ((C + D) x TONS) + B
SLINGER RENTAL TO DELIVER AND SPREAD STONE PICKED UP ON CUSTOMER ACCOUNT	PRICE = (D x TONS) + B

TERMS AND CONDITIONS

- C.O.D. unless other arrangements are made when scheduling slinger.
- Customer must provide proper access for stone slinger.
- Customer pays from the time truck leaves Langhorne, Pa. until truck returns to Langhorne, Pa.
- If job is canceled while truck is en route from quarry to job, customer must pay for stone.
- If stone is to be picked up on customer account, customer must make sure their account at the quarry is current and that the quarry is aware of their arrangements with JMPS.
- If problems arise when stone is being picked up under the customer account, JMPS reserves the right to cancel/reschedule the job pending the problems being resolved or to charge the customer for any time lost while the issues are resolved.

PLEASE NOTE: ALL PRICING LISTED IS SUBJECT TO CHANGE WITHOUT NOTICE.



2330 BIG OAK ROAD
 LANGHORNE, PA 19047
 PHONE (215) 702-9871
 (800) 837-8945
 FAX (215) 702-9874

J.M. PEREIRA & SONS, INC.

22 TON TRI-AXLE DUMP TRUCK RENTAL PRICE SHEET

Pricing effective 5-15-11

					REGION 1	REGION 2	REGION 3
A - Dump Truck Rental (per hour) portal to portal					\$100.00	\$100.00	\$100.00
Pricing does not include supply or delivery of stone							
B - Supply Stone (per ton)					\$11.00	\$12.50	\$16.50
Pricing does not include delivery (see item C)							
C - Stone Delivery Charge (per ton)							DELIVER SUBJECT TO NJ SALES TAX
DISTANCE FROM QUARRY	Zone A	within	5	Miles from quarry	\$4.50	\$5.50	\$5.50
	Zone B	between	5 and 10	Miles from quarry	\$6.00	\$7.00	\$7.00
	Zone C	between	10 and 15	Miles from quarry	\$7.50	\$8.50	\$8.50
	Zone D	between	15 and 20	Miles from quarry	\$9.00	\$10.00	\$10.00
	Zone E	between	20 and 25	Miles from quarry	\$10.50	\$11.50	\$11.50
	Zone F	between	25 and 30	Miles from quarry	\$12.00	\$13.00	\$13.00
	Zone G	between	30 and 35	Miles from quarry	\$13.50	\$14.50	\$14.50
	Zone H	between	35 and 40	Miles from quarry	\$15.00	\$16.00	\$16.00
	Zone I	between	40 and 45	Miles from quarry	\$16.50	\$17.50	\$17.50
	Zone J	between	45 and 50	Miles from quarry	\$18.00	\$19.00	\$19.00

REGION 1 BUCKS, MONTGOMERY, LEHIGH, NORTHAMPTON AND PHILADELPHIA COUNTIES SERVICED BY PENNS PARK AREA QUARRIES

REGION 2 CHESTER, DELAWARE, LANCASTER AND BERKS COUNTIES, AS WELL AS NORTHERN DELAWARE SERVICED BY DOWNINGTOWN AREA QUARRIES

REGION 3 CENTRAL AND SOUTHERN NEW JERSEY SERVICED BY BERLIN AREA QUARRIES

PRICE CALCULATION GUIDE

DUMP TRUCK RENTAL TO RELOCATE MATERIAL ON SITE (MATERIAL TO BE SUPPLIED AND LOADED BY CUSTOMER)	PRICE = A x HOURS
DUMP TRUCK RENTAL TO SUPPLY AND DELIVER STONE PICKED UP ON JMPS ACCOUNT	PRICE = (B + C) x TONS
DUMP TRUCK RENTAL TO DELIVER STONE PICKED UP ON CUSTOMER ACCOUNT	PRICE = C x TONS

TERMS AND CONDITIONS

- C.O.D. unless other arrangements are made when scheduling RENTAL.
- Customer must provide proper access for stone slinger.
- Customer pays from the time truck leaves Langhorne, Pa. until truck returns to Langhorne, Pa.
- If job is canceled while truck is en route from quarry to job, customer must pay for stone.
- If stone is to be picked up on customer account, customer must make sure their account at the quarry is current and that the quarry is aware of their arrangements with JMPS.
- If problems arise when stone is being picked up under the customer account, JMPS reserves the right to cancel/reschedule the job pending the problems being resolved or to charge the customer for any time lost while the issues are resolved.

PLEASE NOTE: ALL PRICING LISTED IS SUBJECT TO CHANGE WITHOUT NOTICE.