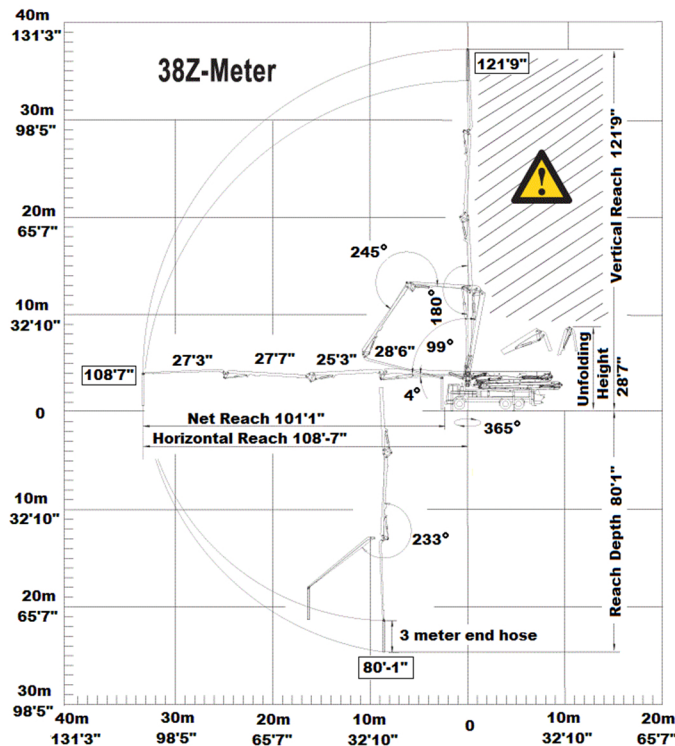
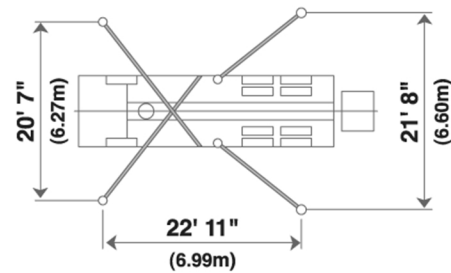
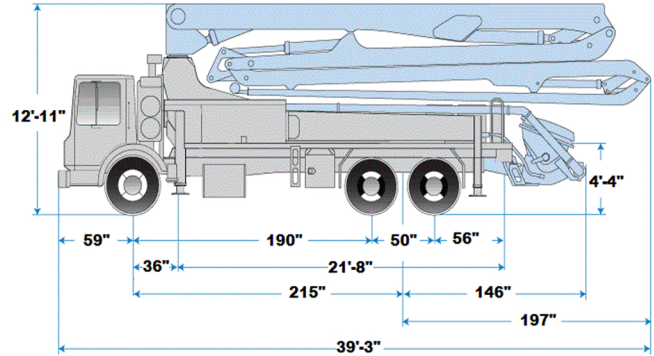


38 METER Z CONCRETE BOOM PUMP

Our 38m articulated Z-boom pump can overcome vertical and horizontal obstacles where overhead wires and obstructions are not present and our smaller booms fall short.

Because this pump is a Z-Boom it requires less room to unfold than other 38m booms. If you need the reach but space is tight, this pump is the one you want.



Pump Specifications	38Z.16H	38Z.20H
Output — rod side	210 yd ³ /hr (160m ³ /hr)	—
piston side	146 yd ³ /hr (112m ³ /hr)	260 yd ³ /hr (200m ³ /hr)
Pressure — rod side	1233 psi (85 bar)	—
piston side	1885 psi (130 bar) •	1233 psi (85 bar)
Concrete cylinder diameter	9" (230mm)	11" (280mm)
Stroke length	83" (2100mm)	83" (2100mm)
Max strokes per minute —		
rod side	31	—
piston side	21	26
Volume control	0-Full	0-Full
Maximum size aggregate	2.5" (63mm)	2.5" (63mm)

Boom Specifications • Multi-Z Design

Height & Reach		
Vertical reach	121' 9"	(37.11m)
Horizontal reach	108' 7"	(33.10m)
Reach from front of truck*	101' 1"	(30.81m)
Reach depth	80' 1"	(24.41m)
Unfolding height	28' 7"	(8.71m)

4-Section Boom

1st section articulation	103°
2nd section articulation	180°
3rd section articulation	245°
4th section articulation	233°
1st section length	28' 6" (8.69m)
2nd section length	25' 3" (7.70m)
3rd section length	27' 7" (8.41m)
4th section length	27' 3" (8.31m)

General Specs

Pipeline size (ID) metric ends	5" (125mm)
Rotation	365°
End hose — length	10' (3m)
End hose — diameter	5" (125mm)
Outrigger spread L - R — front	20' 7" (6.27m)
hydraulically extend out & down	
Outrigger spread L - R — rear	21' 8" (6.60m)
hydraulically swing out & extend down	